

COMeN

COMeN Share with the World



CVL series Video Laryngoscope



**Shenzhen Comen Medical Instruments Co., Ltd.**  
Add: No.2 of FIYTA Timepiece Building, Nanhuan Avenue, Matian Sub-district,  
Guangming District, Shenzhen, 518106, Guangdong, China.  
Tel:+86-755-2640 8879 400-700-9488 Fax:+86-755-2643 1232  
Website: en.comen.com E-mail: info@szcomen.com

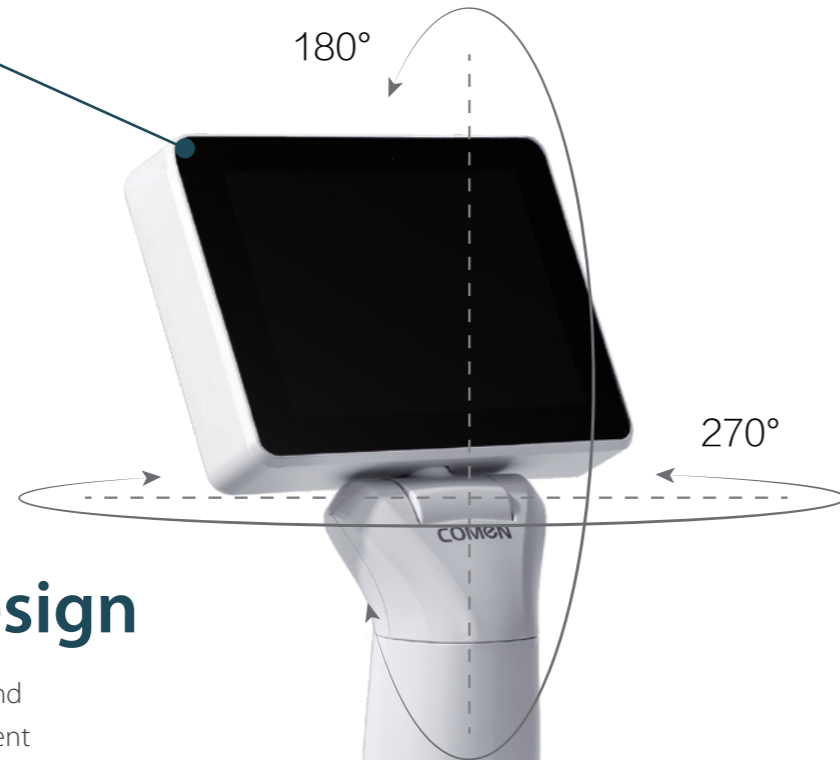
P/N: EN-CVL-4P-20210716-V1.1

## HD Display

The 3" screen supports high resolution up to 640\*480.

## Free Rotation

The screen can be horizontal rotated 270° and vertical rotated 180° to adapt to different angles of use.



## Ergonomic Design

The blade adopts ergonomic design and specialized curvature to easily fit different airways.



## Excellent View

CVL series is equipped with HD CMOS camera which provides high resolution up to 1-megapixel. Anti-fog treatment which provide clear view at every angle.



## Flexibility

CVL series can provide two video laryngoscope types depending on the characteristics of the airway, which satisfy various clinical demands from different patients.



### Specialized blades fit perfectly for children:

A child's airway is different from that of an adult's. Designed specifically with a curvature and length intended for children, the CVL-2 helps to manage the airway of pediatric patients safely and easily with our disposable blades.

### Unique blades for adults:

The CVL-3 was designed for adult patients with difficult airways. Our unique design lies most notably in the camera angle, ensuring unobstructed vision for doctors during intubation, reducing the risk of complications.