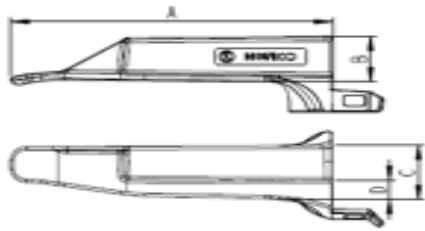
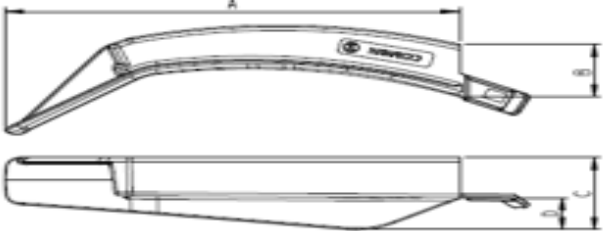


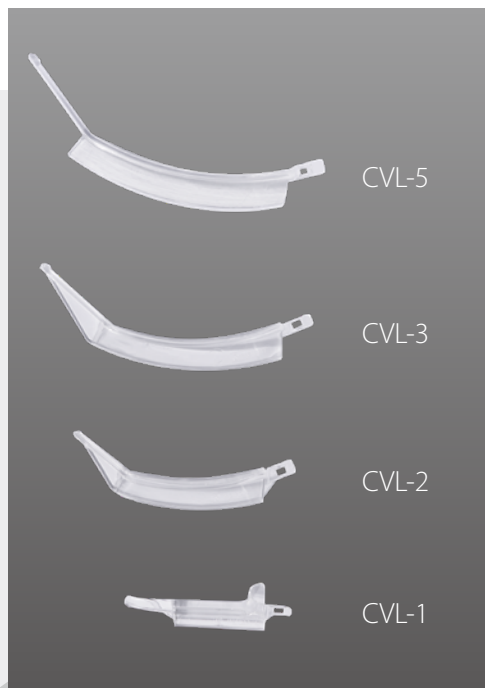
COMEN



Video Laryngoscope Blades

Model	Specification (Unit: mm)				Target User
	A	B	C	D	
CVL -1-1	63	11	13	5	Neonate
CVL -2-1	86	15	21	9	Infant
CVL -3-1	108	17	22	9	Adult M
CVL -5-1	121	17	23	9	Adult L

	
CVL-1-1	CVL-2-1、 CVL-3-1、 CVL-5-1



Anti-Fog Blades

Our disposable blades allow for easy replacement. Obscuration of vision due to temperature differences and fogging will no longer be a cause for concern with our high end anti-fog material, ensuring that the glottis is clearly visible at all times.



Shenzhen Comen Medical Instruments Co., Ltd.

Add: Floor 10, Floor 11 and Section C of Floor 12 of Building 1A & Floor 1 to Floor 5 of Building 2, FIYTA Timepiece Building, Nanhuan Avenue, Matian Sub-district, Guangming District, Shenzhen, Guangdong, 518106, P.R. China
 Tel:+86-755-2640 8879 Fax:+86-755-2643 1232 Website: en.comen.com E-mail: info@szcomen.com

P/N: EN-Video Laryngoscope Blades-2P-20220104-V1.0